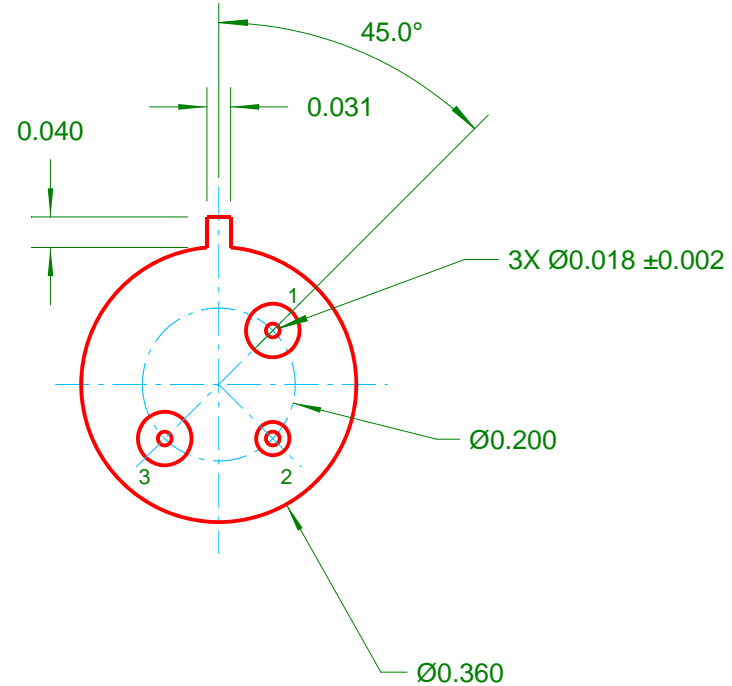
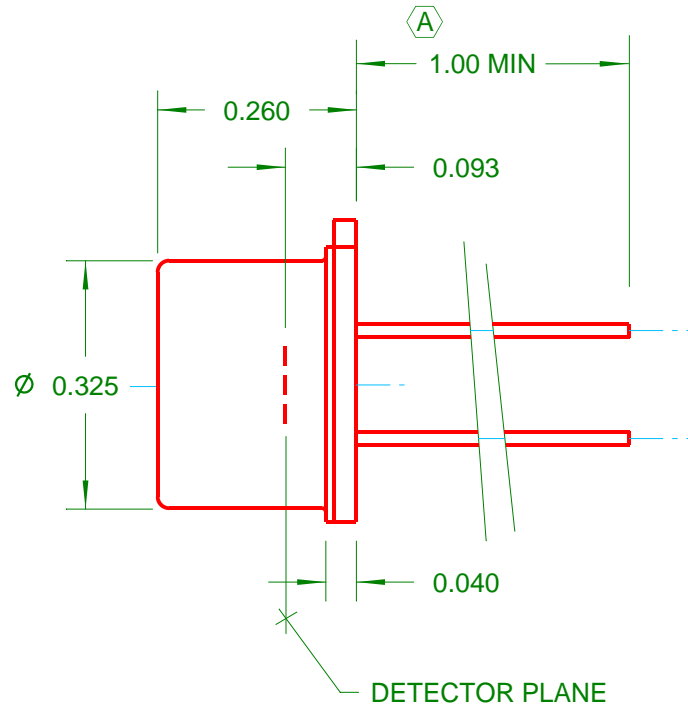
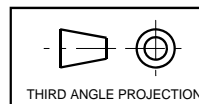


REVISION					
ZONE	LTR	DESCRIPTION	DRN	DATE	CHK
	A	TITLE WAS: AP-35 (ME)	JLR	6-11-96	
	B	DET PLANE/TITLE CHANGE	JLR	6-25-96	
	C	DIM WAS: 0.50 MIN	JLR	7-6-06	



PIN NO.	PIN FUNCTIONS	COLOR
1	DETECTOR	BARE
2	CASE GND	BARE
3	DETECTOR	BARE



QUAN.	CODE	PART NO.	DESCRIPTION	MATERIAL	SPEC.	ITEM
PARTS LIST						
DO NOT SCALE DRAWING UNLESS OTHERWISE SPECIFIED DIMENSIONS ARE IN INCHES			CONTRACT NO.		CAL-SENSORS, INC.	
APPROVALS		DATE	TITLE			
DRN.	ROYAL	3-16-95	OUTLINE & MOUNTING			
CHK.			AP-( )5			
APPD ENG.			SIZE	CODE IDENT. NO.	DWG. NO.	REV.
APPD MFG.			A		61006	C
APPD Q.A.			SCALE	CLASSIFICATION	SHT. NO.	1 OF 1
			4/1	UNC		