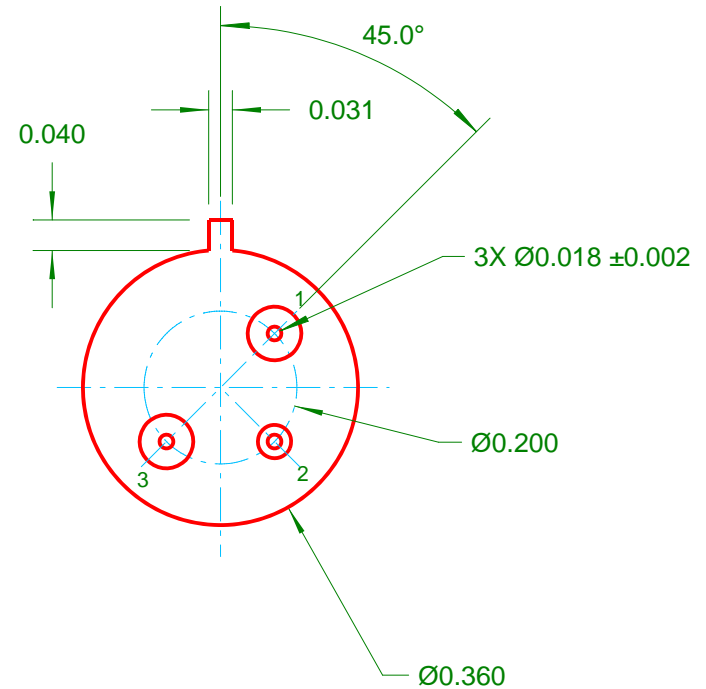
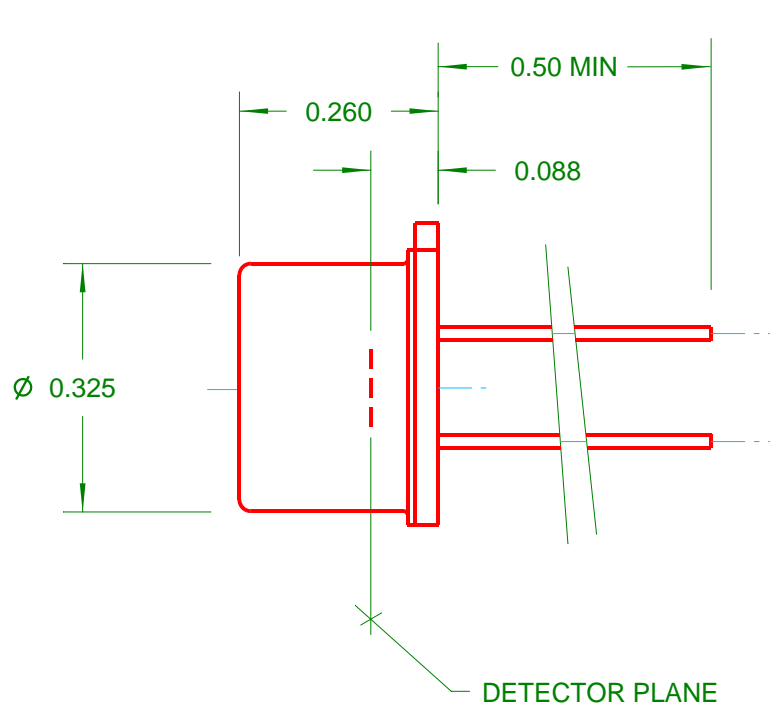
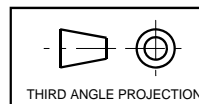


REVISION					
ZONE	LTR	DESCRIPTION	DRN	DATE	CHK
	A	CHANGED TITLE & DET PLANE	JLR	6-26-96	
	B	CHANGED TITLE	JLR	1-5-00	



<u>PIN NO.</u>	<u>PIN FUNCTIONS</u>	<u>COLOR</u>
1	DETECTOR	BARE
2	CASE GND	BARE
3	DETECTOR	BARE



QUAN.	CODE	PART NO.	DESCRIPTION	MATERIAL	SPEC.	ITEM
PARTS LIST						
DO NOT SCALE DRAWING UNLESS OTHERWISE SPECIFIED DIMENSIONS ARE IN INCHES			CONTRACT NO.		CAL-SENSORS, INC.	
APPROVALS		DATE		TITLE		
DRN.	ROYAL	5-11-95		OUTLINE & MOUNTING		
CHK.				BP-()5 & B()P-()5		
APPD ENG.				SIZE	CODE IDENT. NO.	DWG. NO.
APPD MFG.				A		61259
APPD Q.A.				SCALE	CLASSIFICATION	REV.
				4/1	UNC	B
				SHT. NO.	1 OF 1	