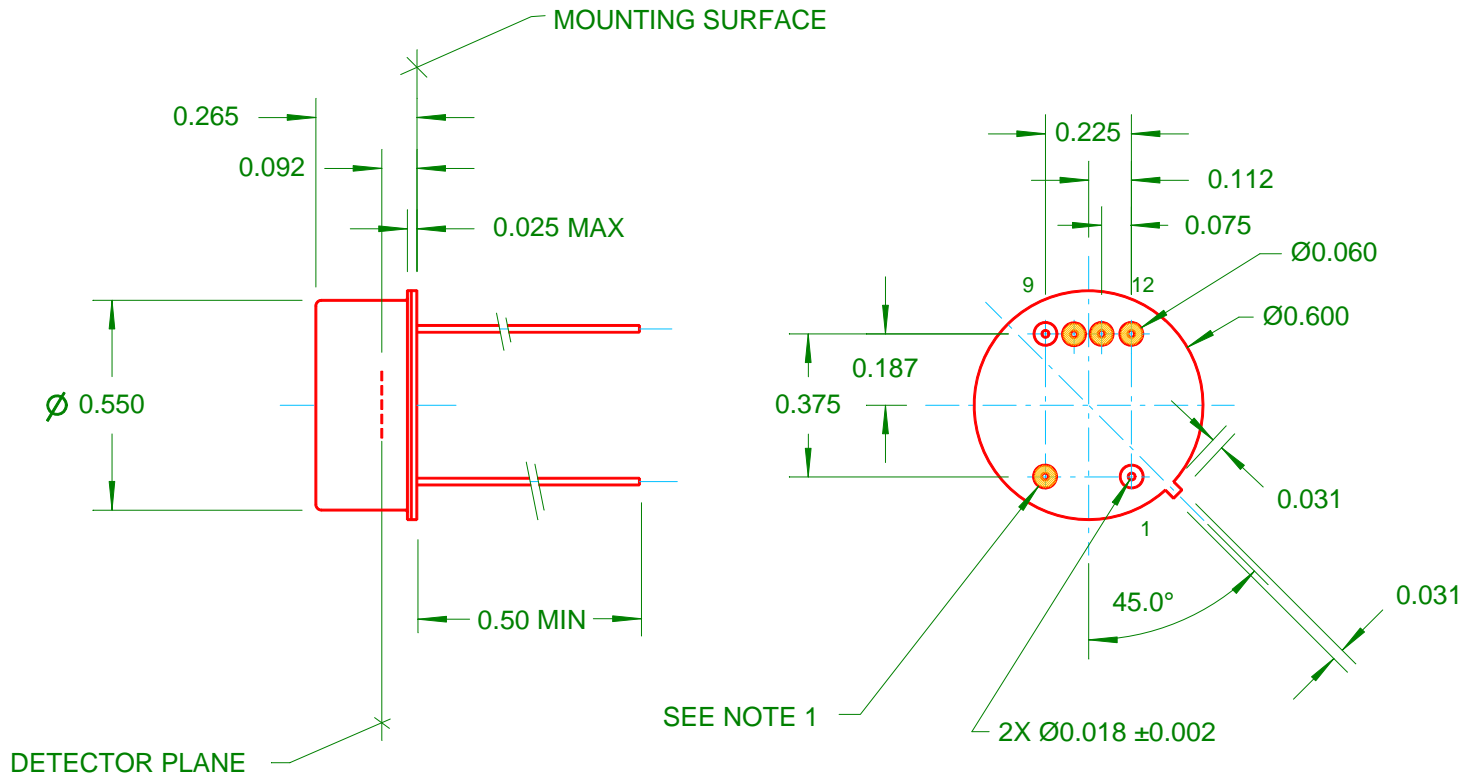


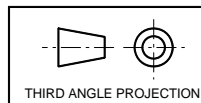
NOTES:

1. PIN POSITIONS 4, 10, 11, & 12 NOT USED
TRIM FLUSH TO MOUNTING SURFACE

REVISION				
ZONE	LTR	DESCRIPTION	DRN	DATE



PIN NO.	PIN FUNCTIONS	COLOR
	FUNCTION	
1	DETECTOR	BARE
9	DETECTOR	BARE



QUAN.	CODE	PART NO.	DESCRIPTION	MATERIAL	SPEC.	ITEM
DO NOT SCALE DRAWING UNLESS OTHERWISE SPECIFIED DIMENSIONS ARE IN INCHES						
CONTRACT NO.		APPROVALS		DATE		
DRN. ROYAL		CHK.		6-26-96		
APPD ENG.		APPD MFG.		APPD Q.A.		
TOLERANCES		XX = .02		XXX = .005		XXXX = .0001
		XXXXX = .00005				
CAL-SENSORS, INC.						
TITLE: OUTLINE & MOUNTING AP-() 8						
SIZE	A	CODE IDENT. NO.	DWG. NO.	REV.		
			61513			
SCALE	NONE	CLASSIFICATION	UNC	SHT. NO.	1 OF 1	