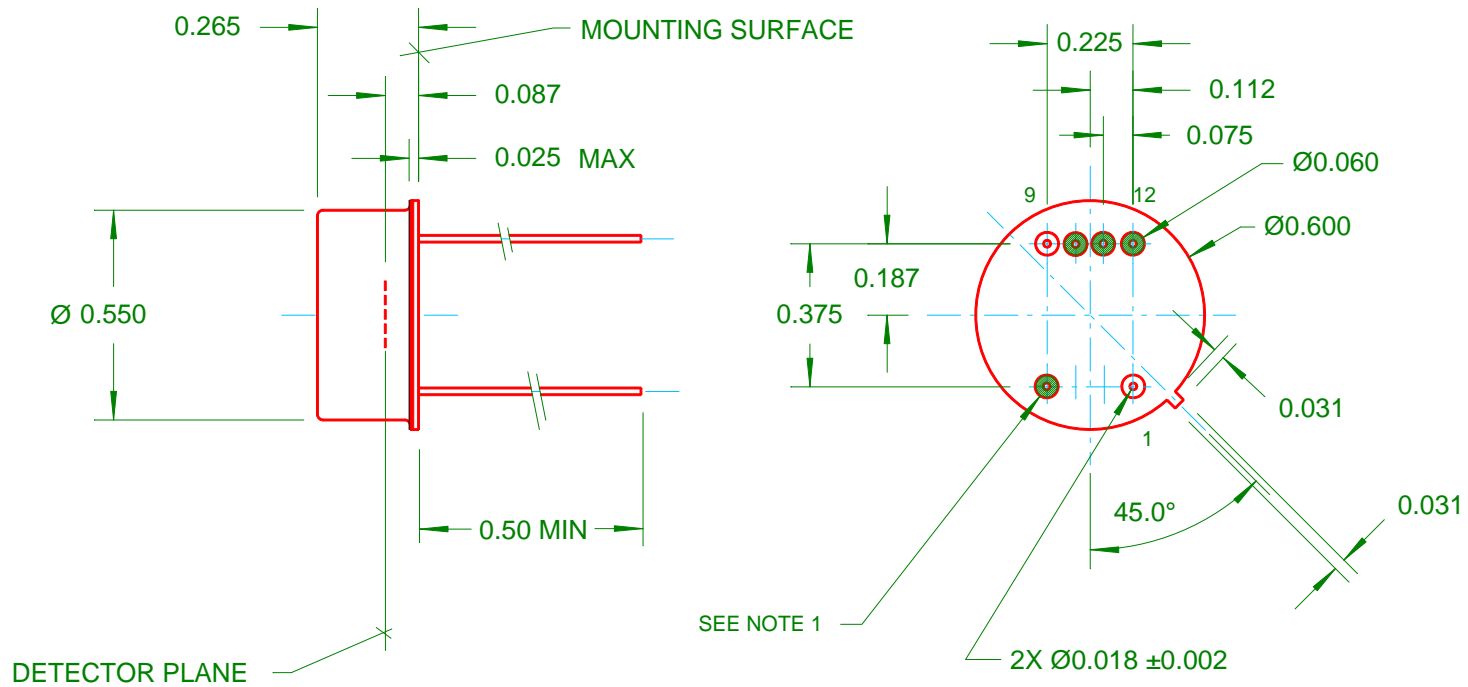


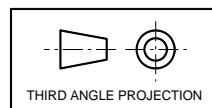
**NOTES:**

1. PIN POSITIONS 4, 10, 11, & 12 NOT USED  
TRIM FLUSH TO MOUNTING SURFACE

REVISION					
ZONE	LTR	DESCRIPTION	DRN	DATE	CHK
	A	TITLE CHANGE	JLR	1-5-00	



PIN NO.	PIN FUNCTIONS		COLOR
	FUNCTION		
1	DETECTOR		BARE
9	DETECTOR		BARE



QUAN.	CODE	PART NO.	DESCRIPTION	MATERIAL	SPEC.	ITEM
PARTS LIST						
DO NOT SCALE DRAWING UNLESS OTHERWISE SPECIFIED DIMENSIONS ARE IN INCHES			CONTRACT NO.		CAL-SENSORS, INC.	
+/- TOLERANCES XX = .02 XXX = .005 XXXX = .0001 XXXXX = .00005			APPROVALS	DATE	TITLE OUTLINE & MOUNTING BP-( ) 8 & B( )P-( ) 8	
			DRN. ROYAL	6-26-96	SIZE <b>A</b>	CODE IDENT. NO. 61766
			CHK.		DWG. NO. 61766	REV. A
			APPD ENG.		SCALE NONE	CLASSIFICATION UNC
			APPD MFG.		SHT. NO. 1 OF 1	
			APPD Q.A.			