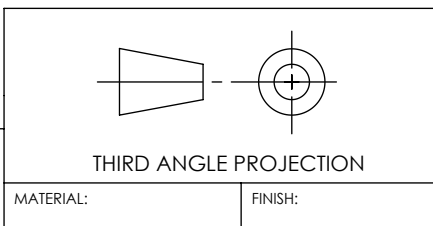
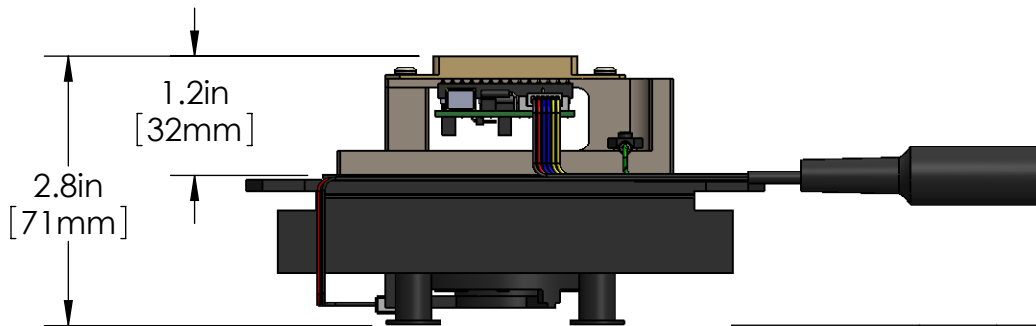
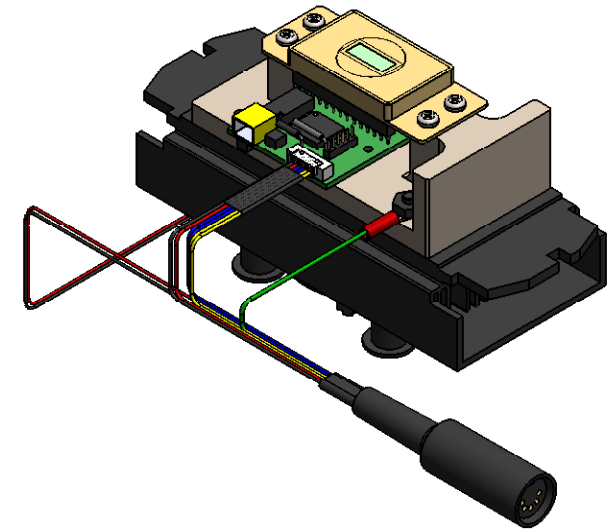
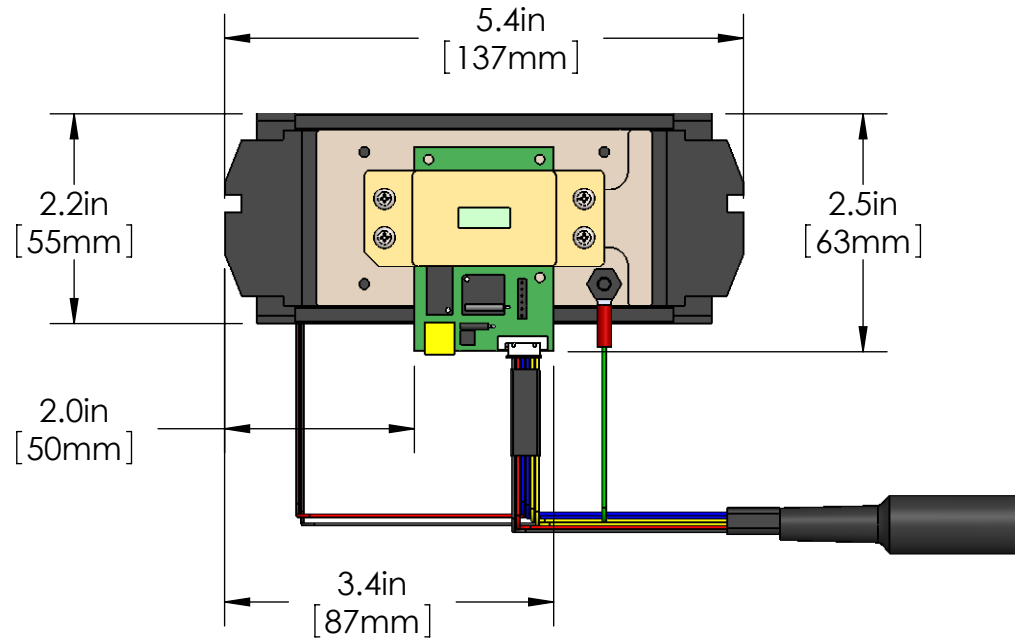


NOTES:

1. CONTROLLER SOFTWARE CD (P/N 17231) IS PART OF THIS SYSTEM AND IS FURNISHED FOR CUSTOMER USE AND INSTALLATION.
2. SEE SHEET 2 FOR POWER SUPPLY AND USB CABLE DETAILS.

REVISIONS			
REV	DESCRIPTION	DRN	DATE
A	CABLE, SOFTWARE MOVED TO HIGHER LEVEL ASSEMBLY	PDM	10-02-07
B	O & M MOVED TO HIGHER LEVEL ASSEMBLY	PDM	11-02-07
C	HEATSINK ASSEMBLY WAS: 17200	PDM	07-09-08



UNLESS OTHERWISE SPECIFIED:
 DIMENSIONS ARE IN INCHES
 +/- TOLERANCES
 XX = .01
 XXX = .005
 XXXX = .0005
 XXXXX = .00005

DO NOT SCALE DRAWING			
APPROVALS	NAME	INIT.	DATE
DRAWN	ROYAL	JLR	08-16-07
CHECKED	V.RICO		
ENG APPR.	J.ELLIOTT		
MFG APPR.	R.ASKER		
Q.A.	L.SNYDER		

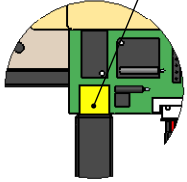
CAL SENSORS, INC.		
TITLE: OUTLINE & MOUNTING DEVELOPMENT SYSTEM BXT1-(.45mm x .04mm) 28T-256 M1 DS		
SIZE	DWG. NO.	REV
A	66812	C
SCALE: 1:2	UNCLASSIFIED	SHEET 1 OF 2

CSI CONFIDENTIAL AND PROPRIETARY INFORMATION

SEE SHEET 1 FOR NOTES

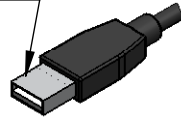
SEE SHEET 1 FOR REVISIONS

USB MINI B PORT
(YELLOW)



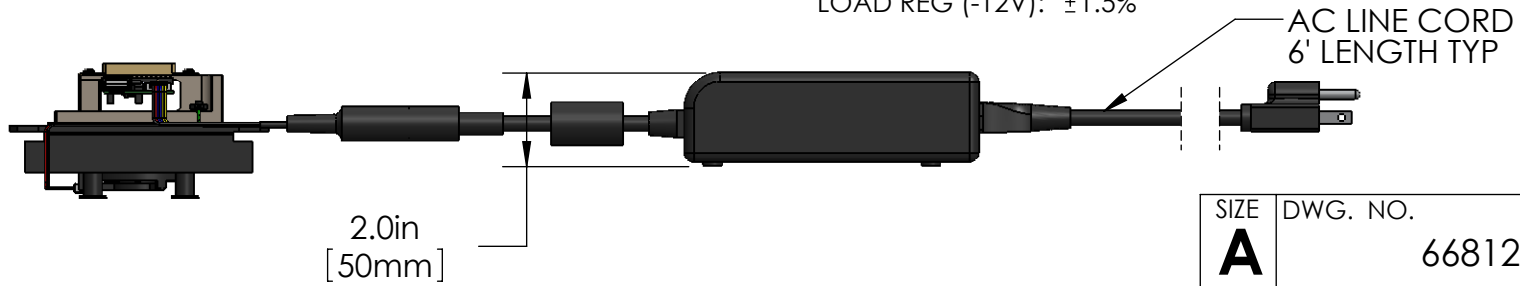
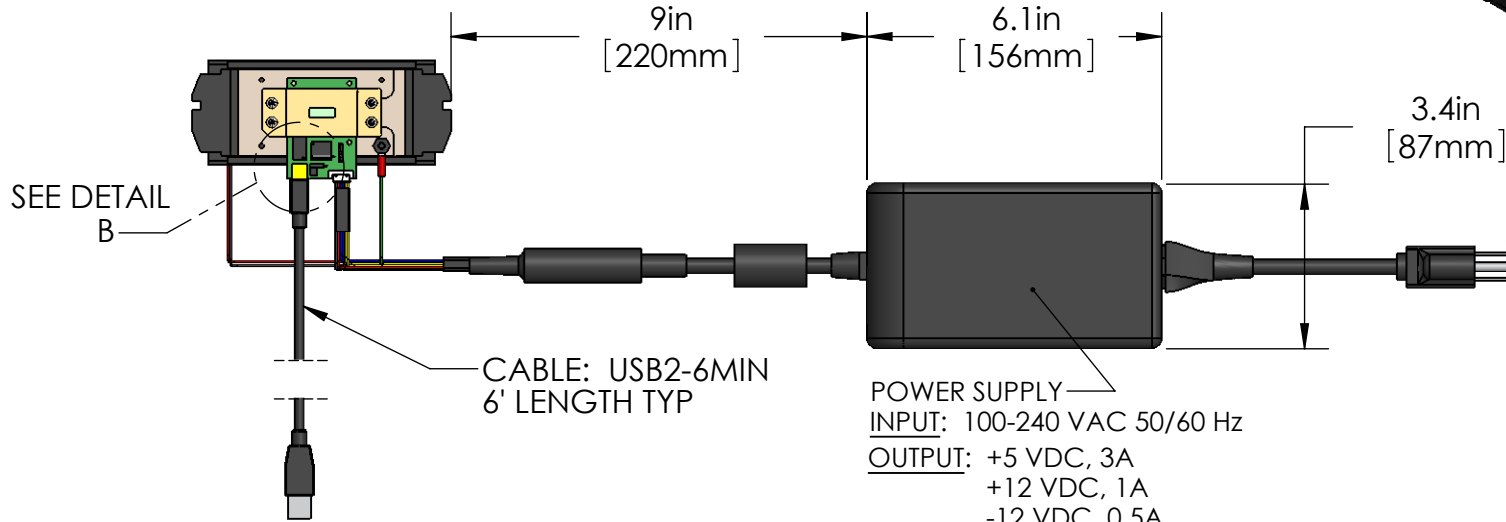
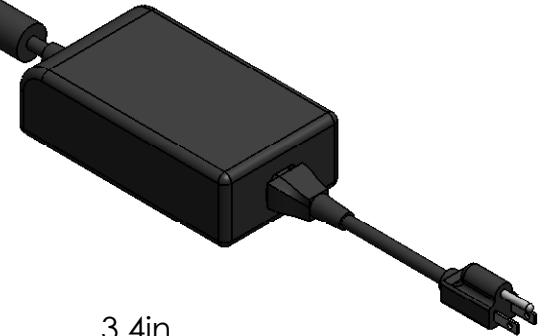
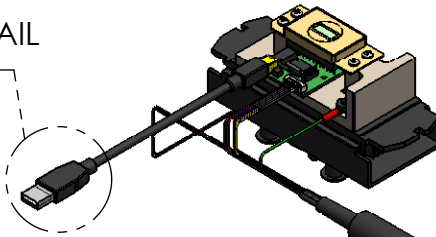
DETAIL B
SCALE 1 : 2

USB 2.0A
(COMPUTER
INTERFACE)



DETAIL A
SCALE 1 : 2

SEE DETAIL
A



SIZE A	DWG. NO. 66812	REV C
SCALE: 1:4	UNCLASSIFIED	SHEET 2 OF 2